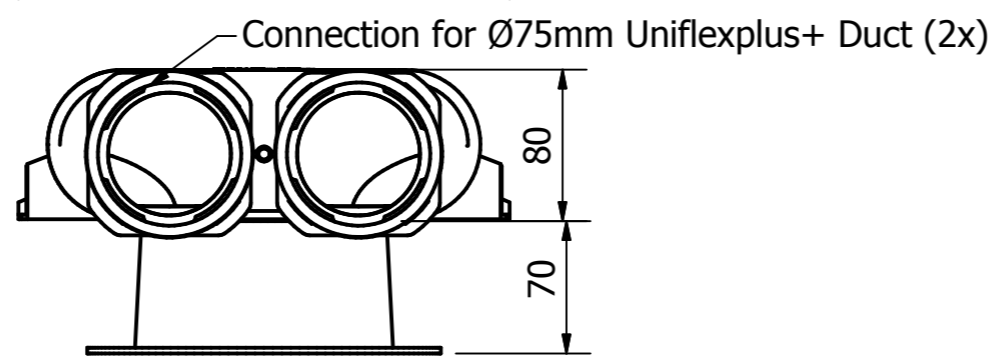
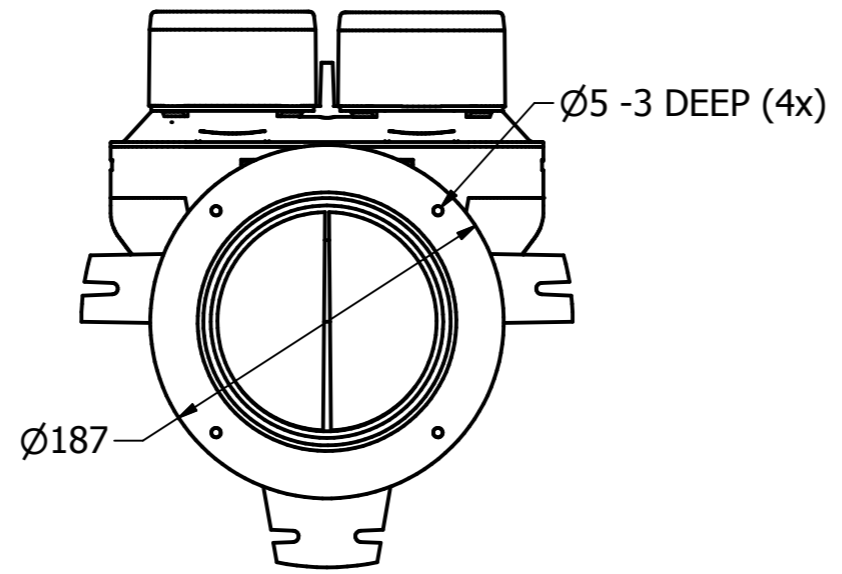
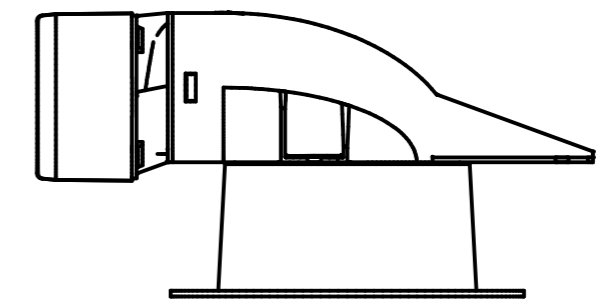


Connection for Ø125mm Duct (1x)



Connection for Ø75mm Uniflexplus+ Duct (2x)



PART NAME				
VC70CH 75B Ventielcollector 2xØ75 Ø125 H=70 90° excl vent.				
DRAWING NUMBER VENTILAIR 2005000180	MATERIAL Mixed	REVISION HISTORY		
		REV	DATE	DESCRIPTION
COLOUR RAL 5015/7035	DATE 21-3-2019			
SCALE 1 : 4	PROJ A-A 	UNITS mm	SIZE A3	DRAWN BY <i>Vent-Axia</i>